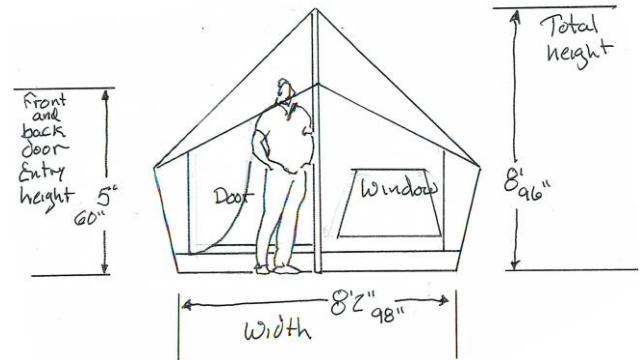
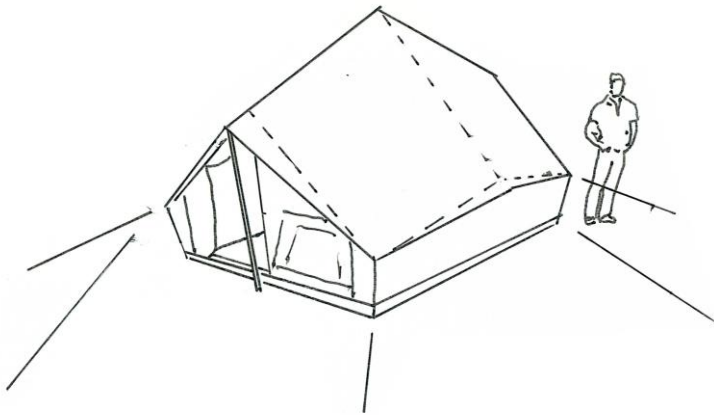


### 8' x 11' Torrent Tent (view)

The 8' x 11' is a sweet compact space that allows a full double sleeping section behind the center pole. Front and rear doors, not so need as much on this little tent but its the only way we make it. The rear door comes in handy when sleeping more than 1-2 people.



### Specs:

5.5' Tall Front and Rear Door with Screen Doors

Front & Rear Windows and a Vent

Front and Rear Awning's

Center Pole: 8'

Door Pole: 5.5'

Back Door Pole: 5.5'

Side Wall Height: 3'

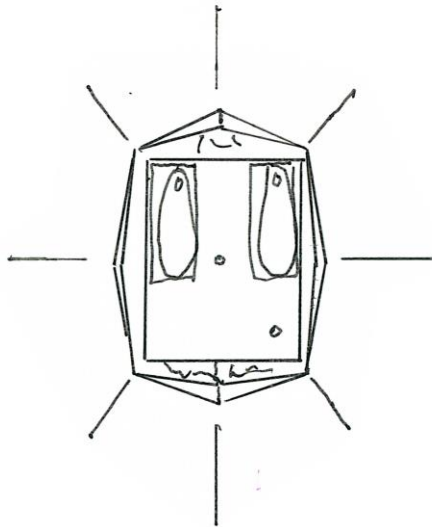
Square Foot: 88'

Guy Lines: 8

Stakes: 16

### Rating:

- Ventilation: 8
- Wind: 8
- Setup: 8
- Tent Footprint: Large

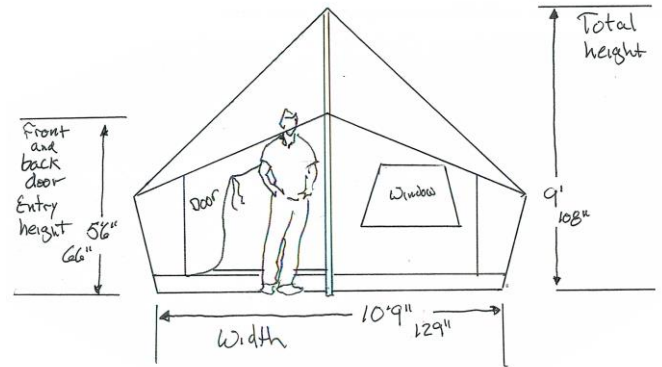
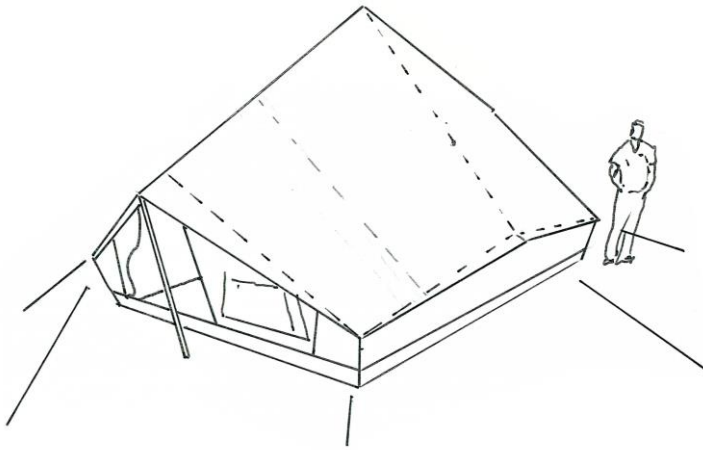


### 8' x 11' Torrent Tent Floor Space

- Foot Print: 8' 2" x 10' 9"
- Usable floor space under canopy 100%
- Sleeps 4 people on the ground
- With stove sleeps 3 people
- With cot and stove sleeps 2 with front right stove location
- Stove Locations: center top and front right side
- With the stove in the center of the tent there is no problem keeping warm

### 11' x 14' Torrent Tent (view)

Our Newest tent. 14' long so you can get 2 cots on each side. Front and rear doors make it rate 8 out of 10 for its ability to ventilate.



#### Specs:

6' Tall Front and Rear Door with Screen Doors

Front & Rear Windows and a Vent

Front and Rear Awning's

Center Pole: 10'

Door Pole: 6'

Back Door Pole: 6'

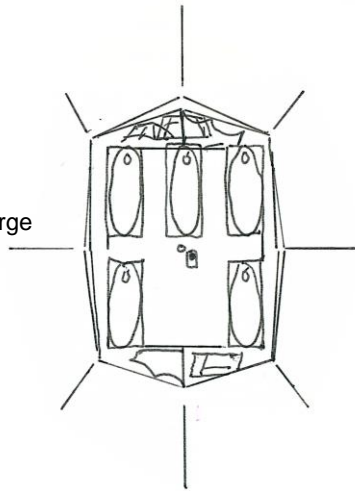
Square Foot: 154'

Guy Lines: 8

Stakes: 16

#### Rating:

- Ventilation: 8
- Wind: 8
- Setup: 8
- Tent Footprint: Large



#### 11' x 14' Torrent Tent Floor Space

- Foot Print: 10' 9" x 14' 2"
- Usable floor space under canopy 100%
- Sleeps 9 people on the ground "give or take"
- With stove sleeps 6-8 people easily
- With cot and stove sleeps 5 people with center or front right side stove location
- Stove Locations: center top and Front Right Side
- With the stove in the center of the tent there is no problem keeping warm