

8' Range Tent (View)

The Classic Cowboy Teepee "Just the basics."

The fastest tent to setup is the range tent, using four stakes to hold up the A-Frame and that's it. No inside pole and no guy lines

Specs:

Front Door with Screen Door

Rear Window and No Vent

A-Frame length: 123" sectioned into 10 pieces

Pole Bag: 6" diameter x 27" long

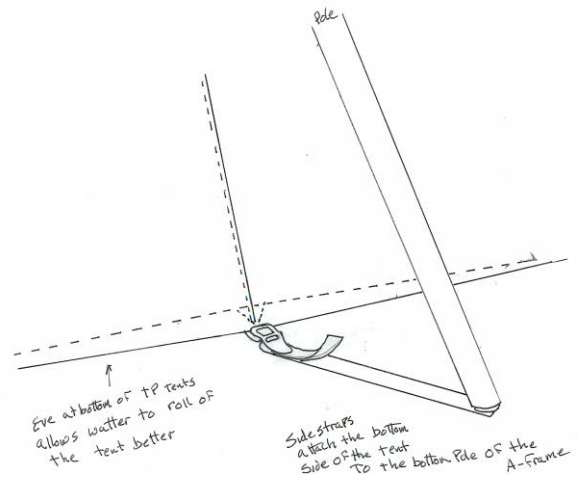
Square Foot: 64'

Stakes: 4

Side ties: 3

Rating:

- Ventilation: 5
- Wind: 10
- Setup: 10
- Tent Footprint: small space needed



Side Straps & Floor Eve

8' Range Tent w/ Awning (View)

The Classic Cowboy Teepee with a few added features.

The fastest tent to setup is the range tent, using four stakes to hold up the A-Frame and a 5th stake is optional. No inside pole and no guy lines if the awning is not being used.

Specs:

Front Door with Screen Door

Rear Window and Vent

Zip Away Awning

A-Frame length: 123" sectioned into 10 pieces

Pole Bag: 6" diameter x 27" long

Square Foot: 64,

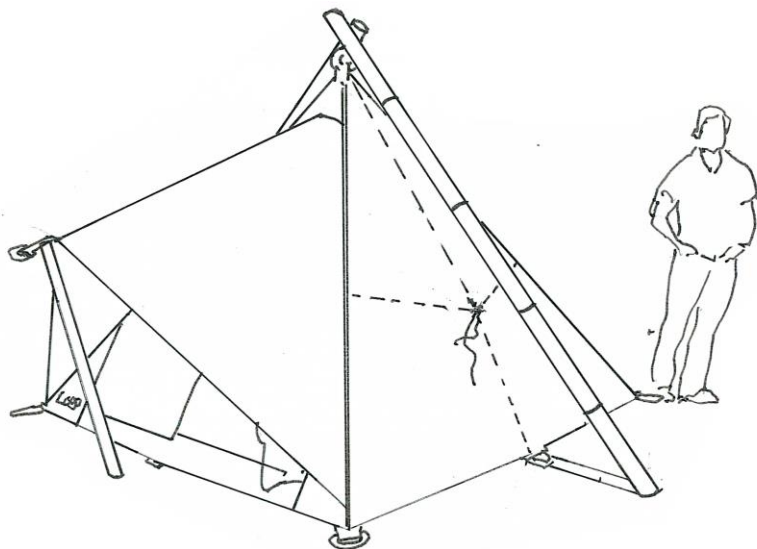
Guy Lines: 1

Stakes: 5

Sideties: 3

Rating:

- Ventilation: 8
- Wind: 10
- Setup: 10
- Tent Footprint: Small



8' Range Tent Floor Space

Foot Print: 8' x 8'

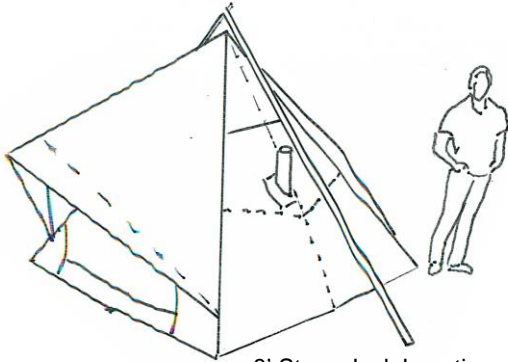
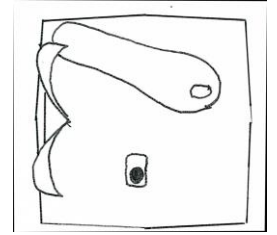
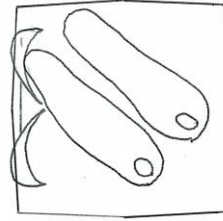
Usable floor space under canopy: 70% / 7' x 7'

Sleeps two people on the ground

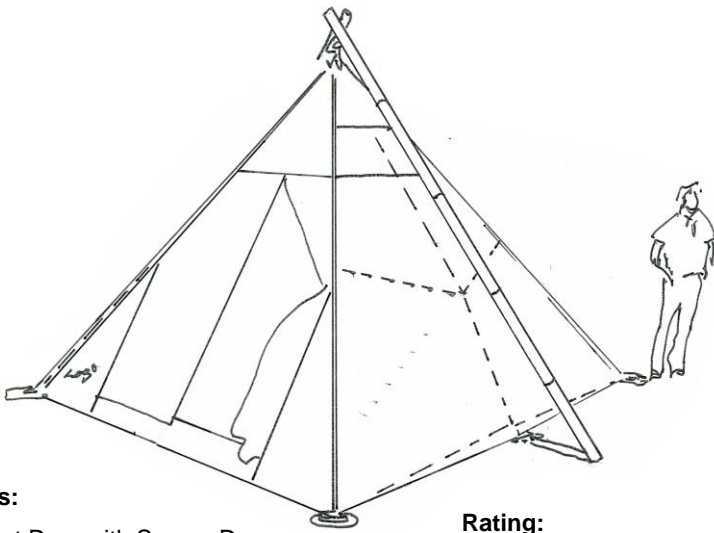
With small stove sleeps one person on ground

Stove Location: Right side middle (only placement available)

Front



8' Stove Jack Location



10' Range Ten (View)

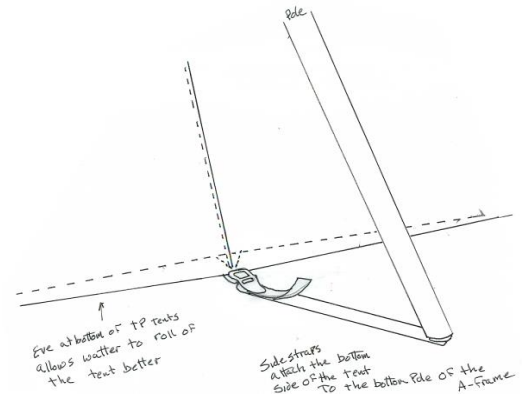
The Classic Cowboy Teepee "just the basics"
 The fastest tent to setup is the range tent, using four stakes to hold up the A-Frame and thats it. No guy lines!

Specs:

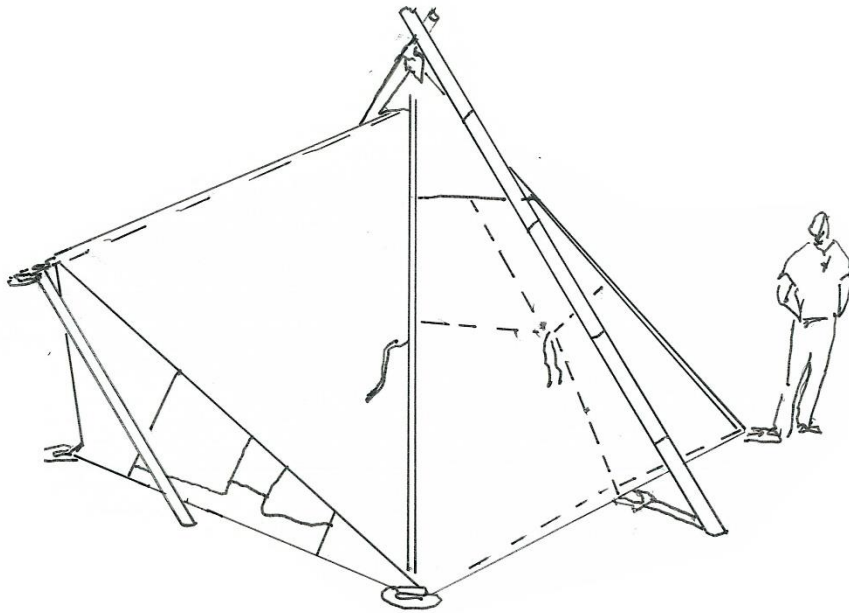
- 6' Front Door with Screen Door
- Rear Window and No Vent
- A-Frame length: 138" sectioned into 10 pieces
- Pole Bag: 8" diameter x 30" long
- Square Foot: 100'
- Stakes: 4
- Side ties: 3

Rating:

- Ventilation: 5
- Wind: 10
- Setup: 10
- Tent Footprint: Small



Side Straps & Floor Eve



10' Range Ten w/ Awning (View)

The Classic Cowboy Teepee with a few added features

The fastest tent to setup is the range tent, using four stakes to hold up the A-Frame and a 5th stake is optional. No inside pole and no guy lines if the awning is not being used.

Specs:

- 6' Front Door with Screen Door
- Rear Window and Vent
- Zip Away Awning
- A-Frame length: 138" sectioned into 10 pieces
- Pole Bag: 8" diameter x 30" long
- Square Foot: 100'
- Guy Lines: 1
- Stakes: 5
- Sideties: 3

Rating:

- Ventilation: 8
- Wind: 10
- Setup: 10
- Tent Foot Print: Small

"New Features"

- Side Straps
- Lower side wall with sewn eyes
- Corner O-rings with extra reinforcement

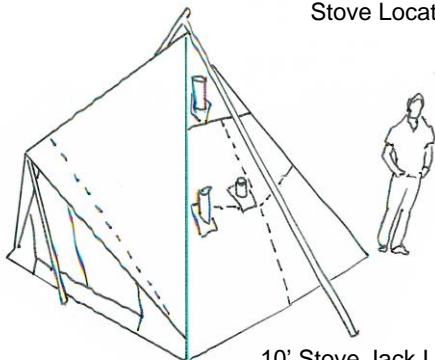
10' Range Floor Space

Sleeps 3 people on the ground

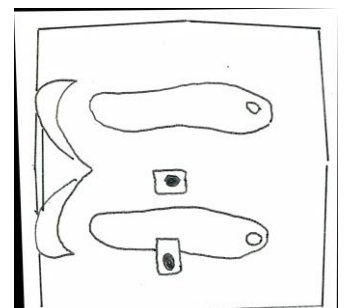
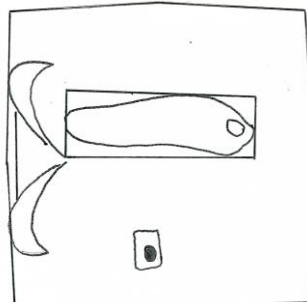
With Stove sleeps 2 people

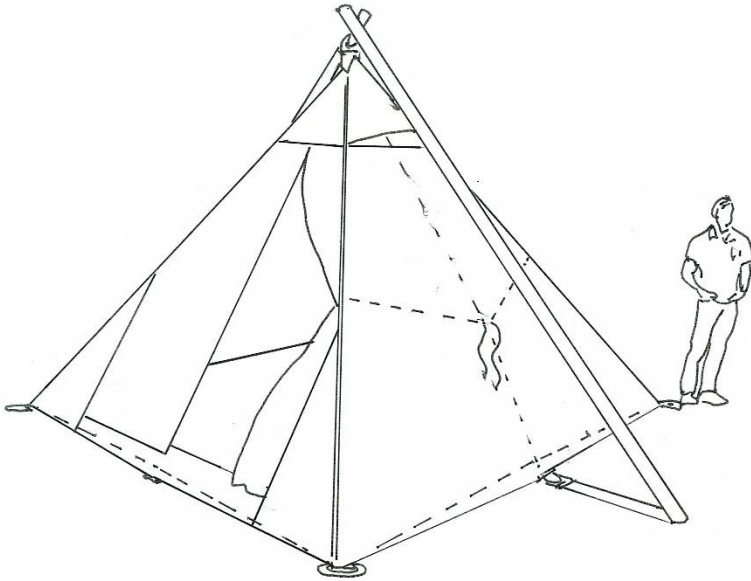
With cot and stove sleeps 1 person

Stove Locations: right side middle and right-side top



10' Stove Jack Locations





12' Range Tent (view)

The Classic Cowboy Teepee “just the basics”

The fastest tent to setup is the range tent, using four stakes to hold up the A-Frame. No inside pole and no guy lines, “That’s it!”

Specs:

6' Front Door with Screen Door
Rear Window and No Vent
A-Frame length: 156” sectioned into 10 pieces
Pole Bag: 8” diameter x 36” long
Square Foot: 144'
Stakes: 4
Sideties: 3

Rating:

- Ventilation: 5
- Wind: 10
- Setup: 10
- Tent Footprint: Small

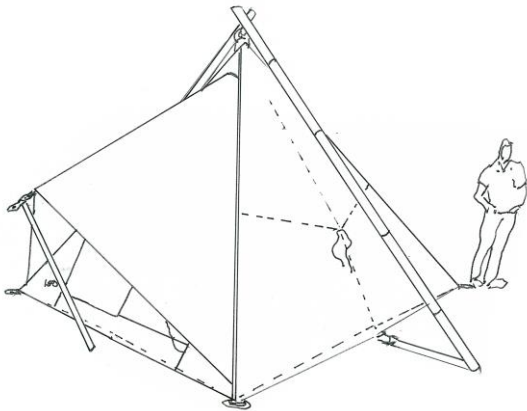
“New Features”

- Side Straps
- Lower side wall with sewn eaves
- Corner O-rings with extra reinforcement

12' Range Tent w/ Awning (view)

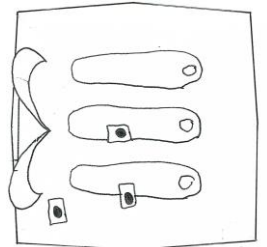
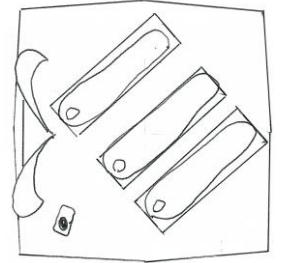
The Classic Cowboy Teepee with a few added features.

The fastest tent to setup is the range tent, using four stakes to hold up the A-Frame and a 5th stake is optional. No inside pole and no guy lines if the awning is not being used.



"New Features"

- Side Straps
- Lower side wall with sewn eaves
- Corner O-rings with extra reinforcement



12' Range Floor Space

- Foot Print: 12' x 12'
- Usable floor space under canopy: 70% / 11' x 11'
- With Stove sleeps 3-4 people on ground
- With cot and stove sleeps 3 people
- Stove Locations: right side middle, right side top, and front right corner

Specs:

6' Front Door with Screen Door

Rear Window and Vent

Zip Away Awning

A-Frame length: 156" sectioned into 10 pieces

Pole Bag: 8" diameter x 36" long

Square Foot: 144'

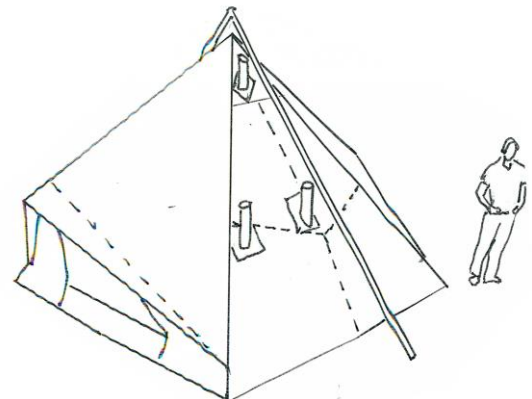
Guy Lines: 1

Stakes: 5

Sideties: 3

Rating:

- Ventilation: 8
- Wind: 10
- Setup: 10
- Tent Footprint: Small



12' Stove Jack Locations