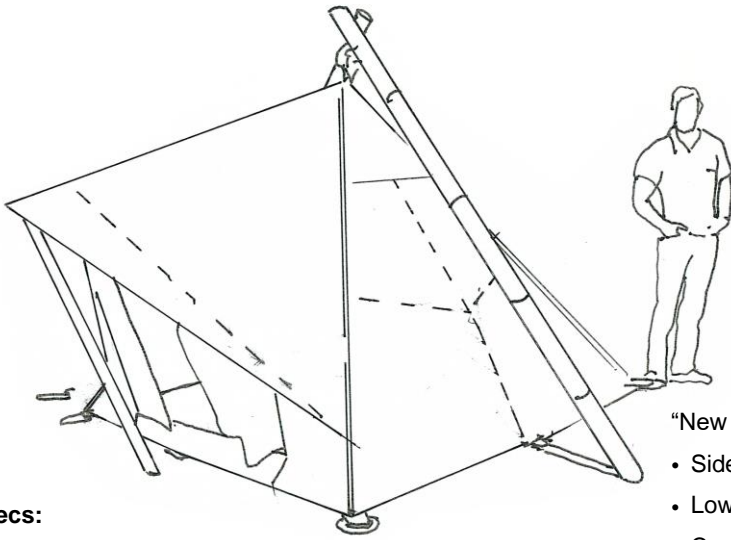


### 8' Prairie Tent (view)

A modified teepee tent design with a vertical door and windows

The fastest tent to setup is the range tent, using four stakes to hold up the A-Frame and two more, front and back. The two extra guy lines add strength and more interior space to the original teepee design. No inside pole needed.



#### "New Features"

- Side Straps
- Lower side wall with sewn eyes
- Corner O-rings with extra reinforcement

#### Specs:

5' Tall Front Door with Screen Door

Rear Window and Vent

Front and Rear Awning's

A-Frame length: 123" sectioned into 10 pieces

Pole Bag: 6" diameter x 27" long

Door Pole: 5'

Back Pole: n.a.

Square Foot: 64'

Guy Lines: 2

Stakes: 6

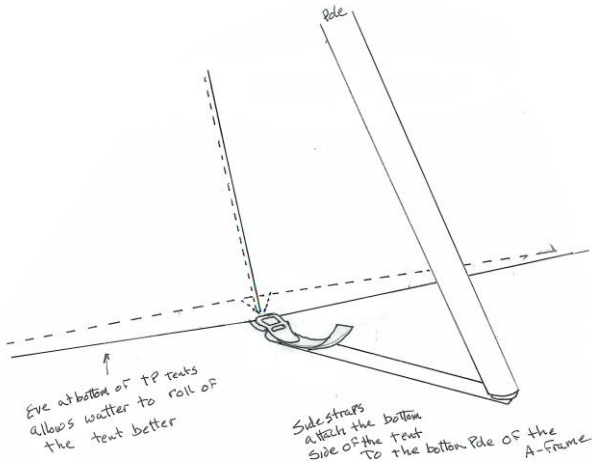
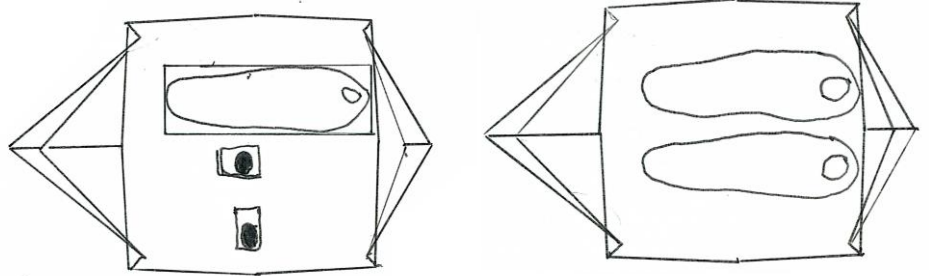
Side-ties: 2

#### Rating:

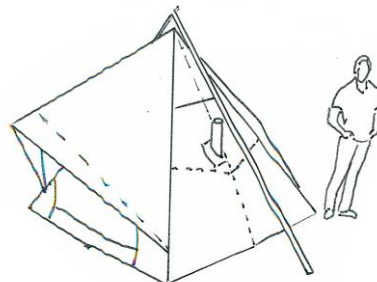
- Ventilation: 10
- Wind: 10
- Setup: 8

#### 8' Prairie Floor Space

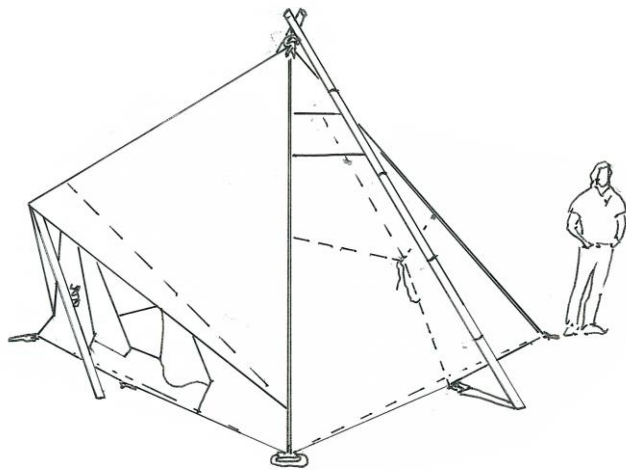
- Footprint: 8' x 8'
- Usable floor space under canopy 80% / 8' x 7'
- Sleeps 2 people and a child on the ground
- With small stove sleeps 2 people
- With cot and small stove sleeps 1 person
- Stove Locations: right side middle and right-side top



Side Straps & Floor Eve



8' Stove Jack Location



### 10' Prairie Tent (view)

A modified teepee tent design with a vertical door and windows.

The fastest tent to setup is the range tent, using four stakes to hold up the A-Frame and two more, front and back. The two extra guy lines add strength and more interior space to the original teepee design. No inside pole needed.

#### "New Features"

- Side Straps
- Lower side wall with sewn eaves
- Corner O-rings with extra reinforcement

#### Specs:

5.5' Tall Front Door with Screen Door

Rear Window and Vent

Front and Rear Awning's

A-Frame length: 138" sectioned into 10 pieces

Pole Bag: 8" diameter x 30" long

Door Pole: 5.5'

Back Pole: n.a.

Square Foot: 100'

Guy Lines: 2

Stakes: 6

Side-ties: 2

#### Rating:

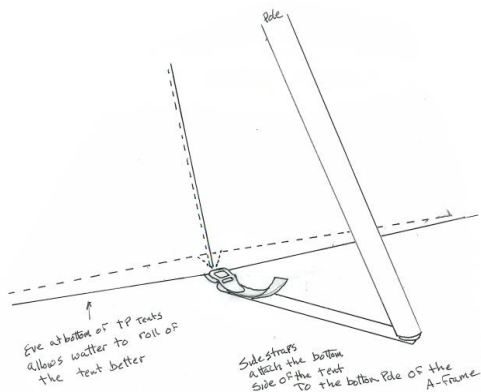
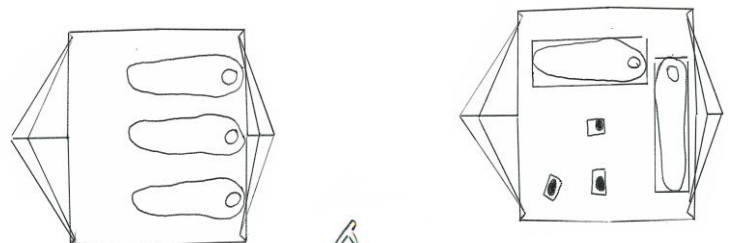
- Ventilation: 10

- Wind: 10

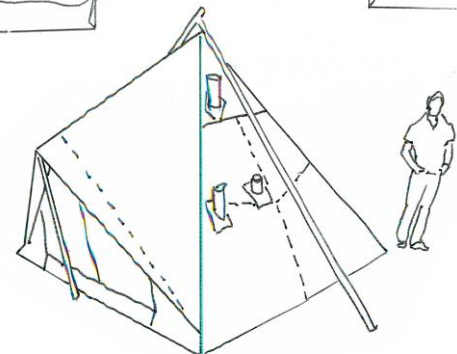
- Setup: 8

#### 10' Prairie Floor Space

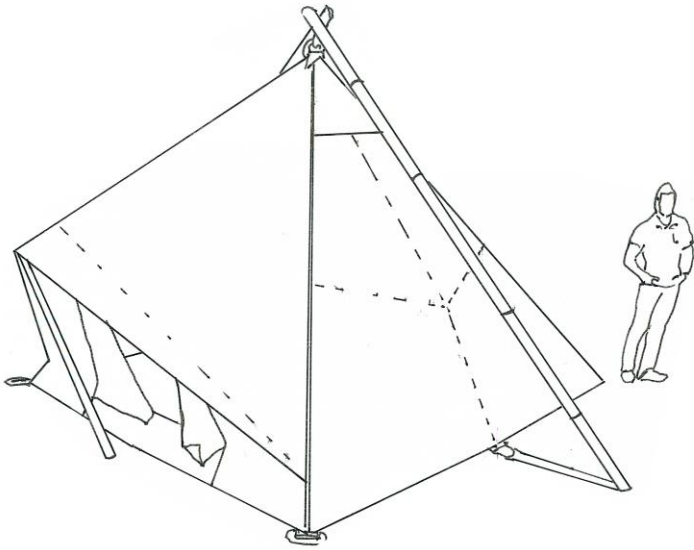
- Footprint: 10' x 10'
- Usable floor space under canopy 80% / 10' x 9'
- Sleeps 4 people on the ground
- With small stove sleeps 3 people
- With cot and small stove sleeps 2 people
- Stove Locations: right side middle, right-side top, and front right side



Side Straps & Floor Eave



10' Stove Jack Locations



### 12' Prairie Tent (view)

A modified teepee tent design with a vertical door and windows.

The fastest tent to setup is the range tent, using four stakes to hold up the A-Frame and two more, front and back. The two extra guy lines add strength and more interior space to the original teepee design. No inside pole needed.

#### "New Features"

- Side Straps
- Lower side wall with sewn eaves
- Corner O-rings with extra reinforcement

#### Specs:

6' Tall Front Door with Screen Door

Large Rear Window and Vent

Front and Rear Awning's

A-Frame length: 156" sectioned into 10 pieces

Pole Bag: 8" diameter x 36" long

Door Pole: 6'

Back Pole: 3.5'

Square Foot: 144'

Guy Lines: 2

Stakes: 6

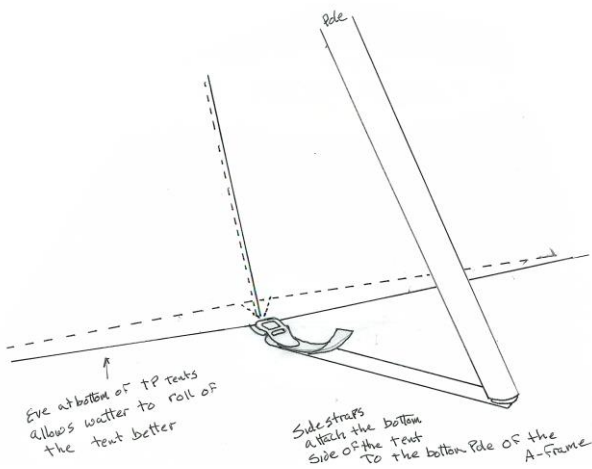
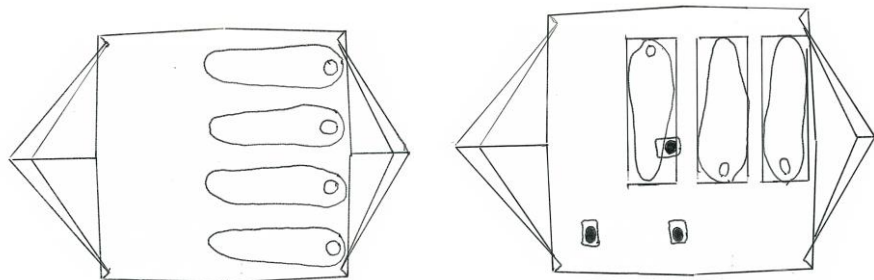
Side ties: 2

#### Rating:

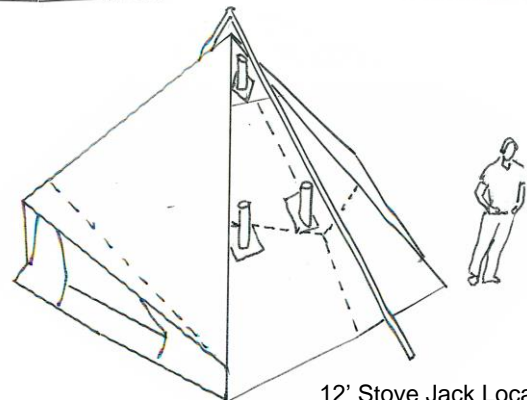
- Ventilation: 10
- Wind: 8
- Setup: 6

#### 12' Prairie Floor Space

- Footprint: 12' x 12'
- Usable floor space under canopy 80% / 12' x 11'
- Sleeps 6 people on the ground
- With stove sleeps 4 people
- With cot and stove sleeps 3 people
- Stove Locations: right side middle, right-side top, and front right side



Side Straps & Floor Eve



12' Stove Jack Locations

